

Customer _____ Date _____

Estimator _____ Form ___ of ___

- **What type of fireplace front do you have?** Brick Stone Tile (circle one)
- **What type of gas do you have?** Propane Natural None
- **Is the fireplace face flat or is there a raised or recessed portion within 6 in. of fireplace opening?**

- **Is the inner hearth (the floor that you build your fires on) level with the outer hearth or is it raised or recessed?** How much? _____
- **Does the inner hearth extend past the fireplace opening onto the hearth?**
Yes No How much? _____
- **Is the fireplace** masonry or factory built? (circle one)
- **Does the fireplace have an ash dump?** Yes No Not sure
- **Is the front** smooth or louvered? (circle one)
- **Does the fireplace have heat tubes that block the opening to the chimney?** Yes No
- **Do you have a mantle?** Yes No **Is it a shelf or 3 sided?** (circle one)
- **How thick is the facing?** _____
- **How far does mantle leg project from fireplace face?** _____
- **If the mantle has combustible supports above the fireplace opening how thick are they?**
_____ **how far from top of opening** _____
- **Estimated chimney height** _____ • **Estimated gas run** _____

Notes:

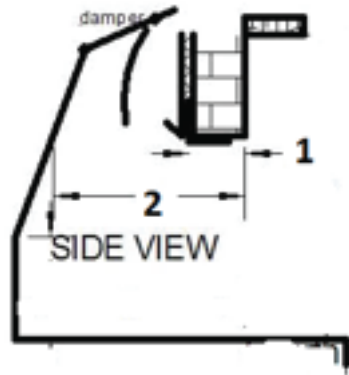
Estimator Use Only

- Estimated job time
- Are we running electric? Or will be plugging in on hearth? Yes No

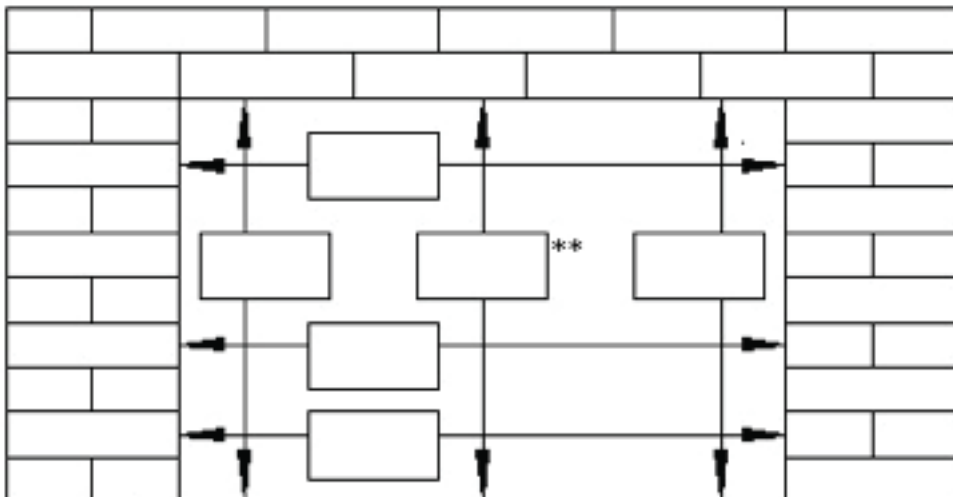
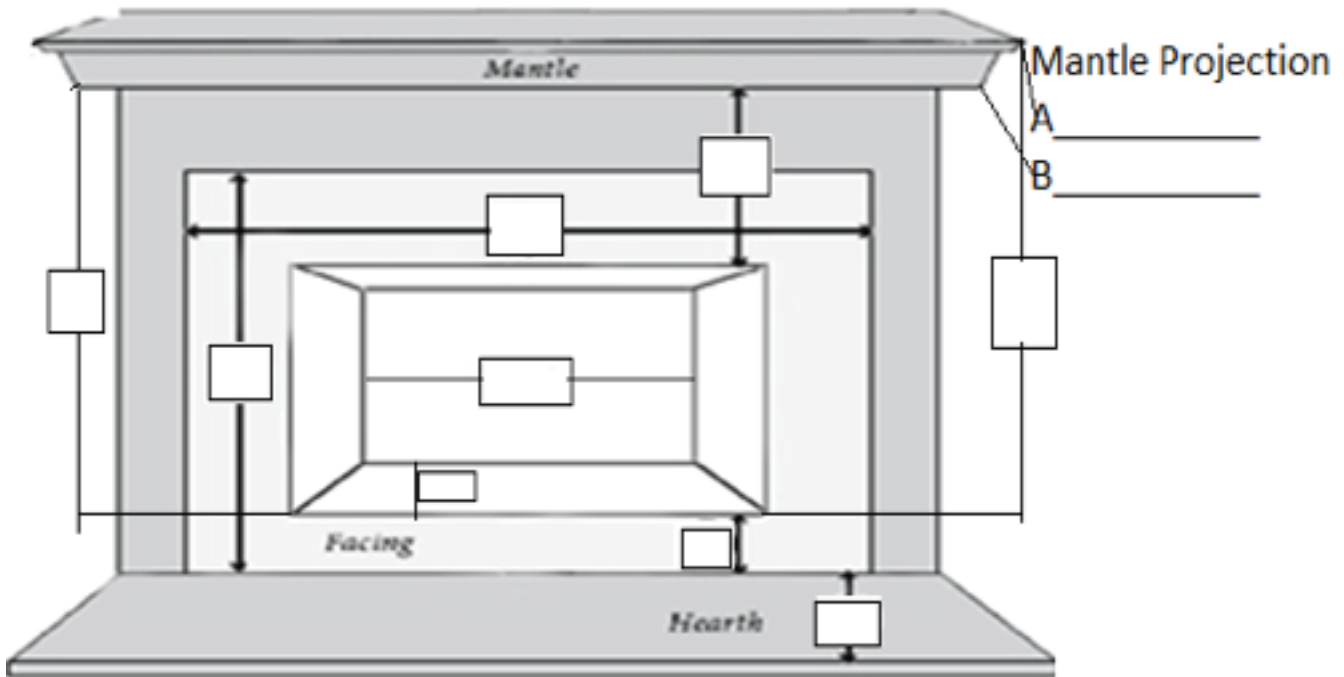
Measurement Form

Customer _____ Date _____

Estimator _____ Form ___ of ___



1. Depth of lintel (face to damper) _____
2. Depth at 23in from floor to face. _____
3. Hood measurement
Length _____



** lintel to hearth measurement.